

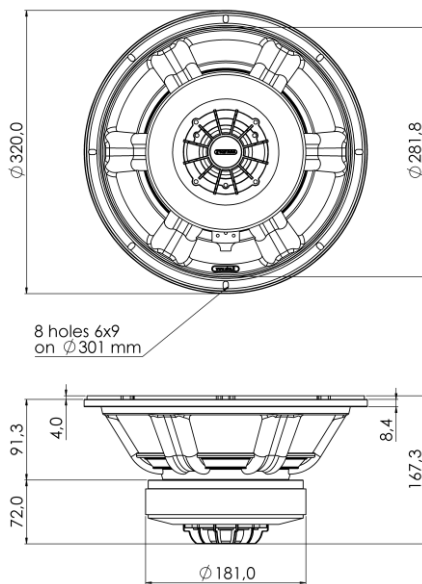
12 Cx 3 CP 8Ω

12" | 800 W

Code Z007996

Coaxial

- SNDW** LF 3" Sandwich voice coil Fiberglass former
- TD** HF Titanium dome 1,7" voice coil Flat Aluminium wire
- DAR** Cloth surround with Double Asymmetric Rolls Technology (DAR)
- WpT** Waterproof Cone Treatment
- Ferrite Magnet Circuit
- 60° x 40° coverage horn
- 98.0 dB sensitivity
- Frequency Range 50-20000 Hz

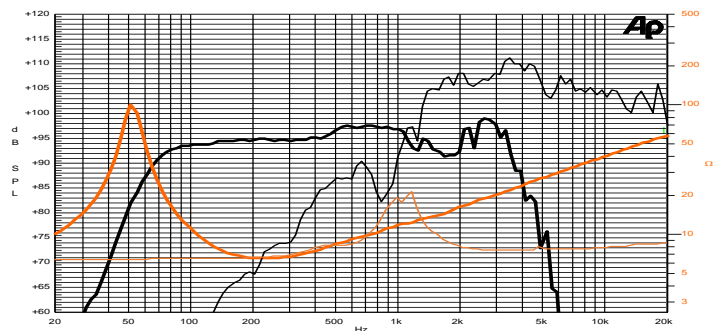


General Specifications

	LF Unit	HF Unit
Nominal Diameter	321 mm (12")	
Nominal Impedance	8 Ω	8 Ω
Rated Power AES ⁽¹⁾	400 W	60 W
Continuous Program Power ⁽²⁾	800 W	120 W
Sensitivity @ 1W/1m ⁽³⁾	98.0 dB	106.2 dB
Voice Coil Diameter	75 mm (3 in)	44 mm (1.7 in)
Voice Coil Winding Depth	15 mm	2.6 mm
Magnetic Gap Depth	10 mm	3 mm
HF Recomm. Crossover Frequency		1.6 kHz
Magnet Weight	2700 g	
Net Weight	8.3 kg	

Thiele & Small Parameters⁽⁴⁾

Re (LF)	5.0 Ω	Fs (LF)	49.0 Hz
Re (HF)	6.0 Ω	Fs (HF)	1100 Hz
Qms	7.21	Qes	0.35
Qts	0.33	Mms	58.0 g
Cms	182 μm/N	Bxl	16.03 Tm
Vas	72.8 l	Sd	530.9 cm ²
X max ⁽⁵⁾	+/-4.5 mm	X var ⁽⁶⁾	+/-8.0 mm
η ₀	2.38 %	Le (1kHz)	1.02 mH



Frequency Response on 45 Lt @ 55 Hz Vented Box @ 1W, 1m
Free Air Impedance

Constructive Characteristics

Magnet	Ferrite
Basket Material	Aluminium Die-Cast
LF Voice Coil Winding/Former Material	Copper / Fiberglass
HF Voice Coil Winding/Former Material	Aluminium Flat Wire / Kapton
LF Cone Material	Paper
HF Dome Material	Titanium
Surround Material	Treated Cloth
HF Spare Part Code	Z009395

Mounting Information

Overall Diameter	320,0 mm
Baffle Cutout Diameter	284 mm
Mounting Holes	8 holes 6x9 on ø301 mm
Total Depth	167,3 mm

(1) Rated Power measured with 2-hour test with pink noise signal, 6dB crest factor, loudspeaker in free air, power calculated on rated Zmin. (2) Power on Continuous Program is defined as 3dB greater than the Rated Power. (3) Calculated by Thiele & Small parameters, for SPL average in box refer to frequency response. (4) Thiele & Small parameters measured with laser system after preconditioning test. (5) Measured with respect to a THD of 10%. (6) Value corresponding to a decay of the Force Factor, or Compliance, or both, equal to the 50% of the small signal value. (7) Drawing dimensions: mm.