

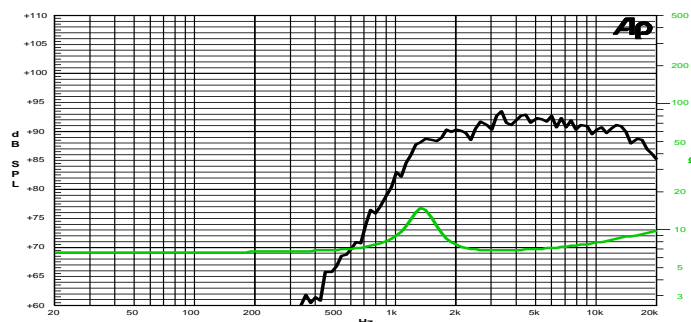
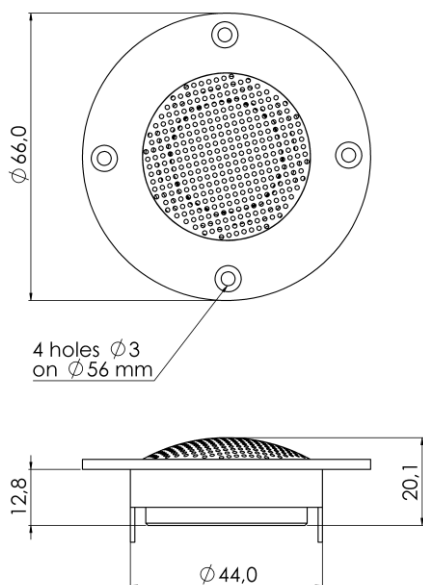
LP 66.25/N14 TW 8Ω

Dome Tweeter

1" | 70 W

Code Z008950

- 1" voice coil Aluminium former
- TSD Treated Silk dome
- FF Ferrofluid in Air Gap
- Neodymium Magnet Circuit
- 90.7 dB sensitivity



Frequency Response on IEC Baffle (DIN 45575) @ 1W,1m – Free Air Impedance

General Specifications

| | |
|--|--------------|
| Nominal Diameter | 66 mm |
| Nominal Impedance | 8 Ω |
| Rated Power AES ⁽¹⁾ | 17 W |
| Continuous Program Power ⁽²⁾ | 34 W |
| Rated Noise Power (IEC 60268-5) ⁽³⁾ | 70 W |
| Sensitivity @ 1W/1m ⁽⁴⁾ | 90.7 dB |
| Voice Coil Diameter | 25 mm (1") |
| Voice Coil Winding Depth | 1.7 mm |
| Magnetic Gap Depth | 2.0 mm |
| Flux Density | 1.20 T |
| DC Resistance | 6.0 Ω |
| Resonance Frequency | 1.3 kHz |
| Magnet Weight | 14 g |
| Net Weight | 0.09 kg |
| Recommended Crossover Frequency | 2.5 kHz |

Constructive Characteristics

| | |
|-----------------------------|------------------------|
| Magnet | Neodymium |
| Voice Coil Winding Material | Copper |
| Voice Coil Former Material | Aluminium |
| Diaphragm | Treated Silk |
| Ferrofluid in Air Gap | Yes |
| Flange | Nylon Fiberglass Doped |
| Spare Part Code | - |

Mounting Information

| | |
|------------------------|----------------------------------|
| Overall Diameter | 66 mm |
| Baffle Cutout Diameter | 46 mm |
| Mounting Holes | 4 holes $\phi 3$ on $\phi 56$ mm |
| Total Depth | 20 mm |

(1) Rated Power measured with 2-hour test with pink noise signal, 6dB crest factor. (2) Power on Continuous Program is defined as 3dB greater than the Rated Power. (3) Rated Noise Power measured with 100 hours test pink noise, 6 dB crest factor IFC60268-5 filtering. (4) Measured at 1W, 1m in axis within the frequency range