

1" - 70W Dome Tweeter

LP 66.25/N14 TW 4 Ω
Code Z008949

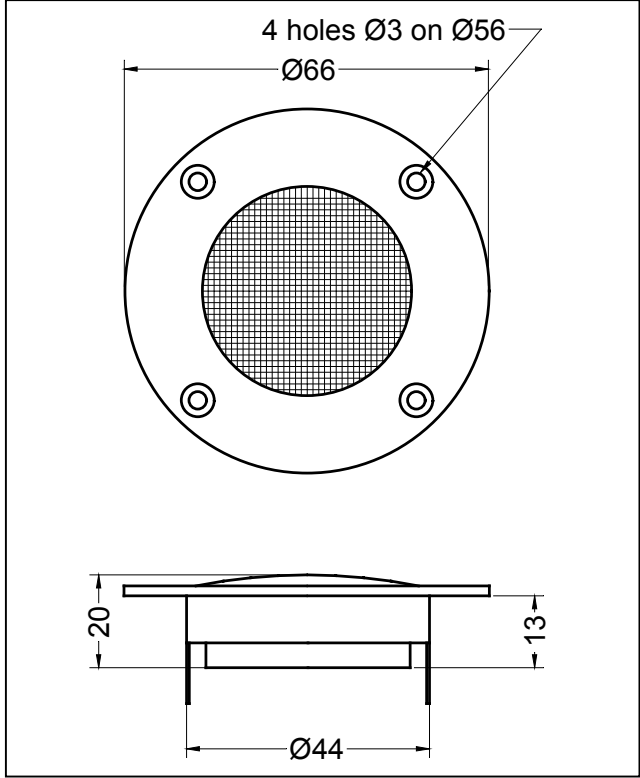
GENERAL CHARACTERISTICS		
Nominal Overall Diameter	66	mm
Nominal Voice Coil Diameter	25	mm
Magnet Weight	14	g
Flux Density.....	1.20	T
Weight.....	0.09	Kg

THIELE-SMALL PARAMETERS		
Voice Coil DC Resistance	R_E	3.00 Ω
Resonance Frequency	f_s	1500 Hz

CONSTRUCTIVE CHARACTERISTICS	
Magnet.....	Neodymium
Voice Coil Winding.....	Copper Round Wire
Voice Coil Former.....	Aluminium
Voice Coil Winding Height	1.7mm
Dome Material.....	Treated Silk
Flange	Plastic
Air Gap Height.....	2mm
Ferrofluid in Air Gap	Yes

NOTES

ELECTRICAL CHARACTERISTICS		
Nominal Impedance.....	4	Ω
Musical Power	34	W
Rated Power AES*	17	W
Rated NOISE Power (IEC 60268-5)	70	W
Sensitivity @ 1 W, 1 m	91.2	dB



*rated power measured with 2 hours test with continuous pink noise signal, 6 dB crest factor, HP filter 3.0kHz-12dB/Oct

Free Air Frequency Response @ 1 W, 1 m - Impedance

