

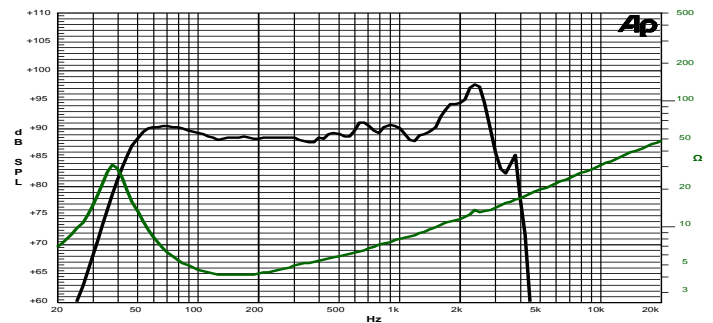
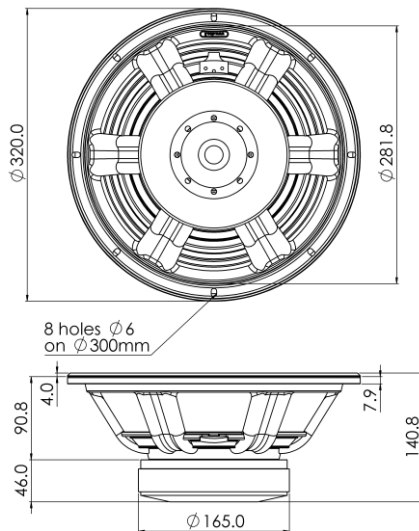
12 SR 3 CP 4Ω

12" | 900 W

Code Z007943

Subwoofer

- SNDW** 3" Sandwich voice coil Fiberglass former
- DCS** Double Cross Konex Spider (DCS)
- DAR** Rubber surround with Double Asymmetric Rolls Technology (DAR)
- WpT** Waterproof Cone Treatment
- HeF** High Excursion Ferrite Magnet Circuit
- VMVc** Ventilated Magnet and Voice Coil to reduce Power Compression
- 91.6 dB sensitivity
- Frequency Range 35-3000 Hz



Frequency Response on 60 Lt @ 45 Hz Vented Box @ 1W, 1m
Free Air Impedance

General Specifications

| | |
|---|--------------|
| Nominal Diameter | 321 mm (12") |
| Nominal Impedance | 4 Ω |
| Rated Power AES ⁽¹⁾ | 450 W |
| Continuous Program Power ⁽²⁾ | 900 W |
| Sensitivity @ 1W/1m ⁽³⁾ | 91.6 dB |
| Voice Coil Diameter | 75 mm (3") |
| Voice Coil Winding Depth | 20 mm |
| Magnetic Gap Depth | 10 mm |
| Flux Density | 0.95 T |
| Magnet Weight | 1790 g |
| Net Weight | 6.7 kg |

Thiele & Small Parameters ⁽⁴⁾

| | | | |
|----------------------|-----------|----------------------|-----------------------|
| Re | 3.0 Ω | Fs | 36.2 Hz |
| Qms | 4.43 | Qes | 0.41 |
| Qts | 0.37 | Mms | 112.0 g |
| Cms | 174 μm/N | Bxl | 13.75 Tm |
| Vas | 59.7 l | Sd | 490.9 cm ² |
| X max ⁽⁵⁾ | +/-8.0 mm | X var ⁽⁶⁾ | +/-9.0 mm |
| η _o | 0.66 % | Le (1kHz) | 0.77 mH |

Constructive Characteristics

| | |
|-----------------------------|------------------------------|
| Magnet | Ferrite |
| Basket Material | Aluminium Die-Cast |
| Voice Coil Winding Material | Copper |
| Voice Coil Former Material | Fiberglass |
| Cone Material | Paper |
| Cone Treatment | Surface Waterproof Treatment |
| Surround Material | Rubber |
| Dust Dome Material | Solid Paper |

Mounting Information

| | |
|------------------------|-----------------------|
| Overall Diameter | 320 mm |
| Baffle Cutout Diameter | 284 mm |
| Mounting Holes | 8 holes ø6 on ø300 mm |
| Total Depth | 140.8 mm |

⁽¹⁾ Rated Power measured with 2-hour test with pink noise signal, 6dB crest factor, loudspeaker in free air, power calculated on rated Zmin. ⁽²⁾ Power on Continuous Program is defined as 3dB greater than the Rated Power. ⁽³⁾ Calculated by Thiele & Small parameters, for SPL average in box refer to frequency response. ⁽⁴⁾ Thiele & Small parameters measured with laser system after preconditioning test. ⁽⁵⁾ Measured with respect to a THD of 10%. ⁽⁶⁾ Value corresponding to a decay of the Force Factor, or Compliance, or both, equal to the 50% of the small signal value. ⁽⁷⁾ Drawing dimensions: mm.