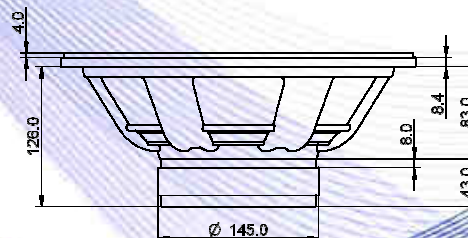
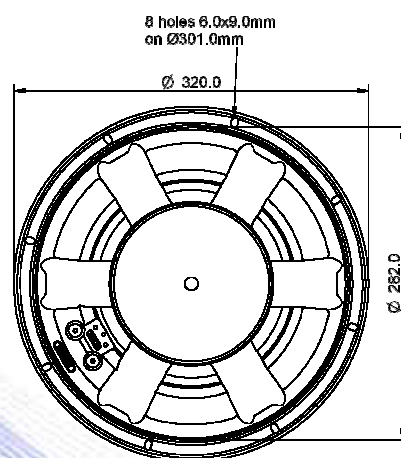


- 2,5" voice coil fiberglass former and aluminium winding
- Progressive wave Konex spider
- Cloth surround with DAR technology
- Cone waterproof treatment
- Ventilated voice coil to reduce power compression
- BMF ferrite magnet
- 96.9 dB sensitivity

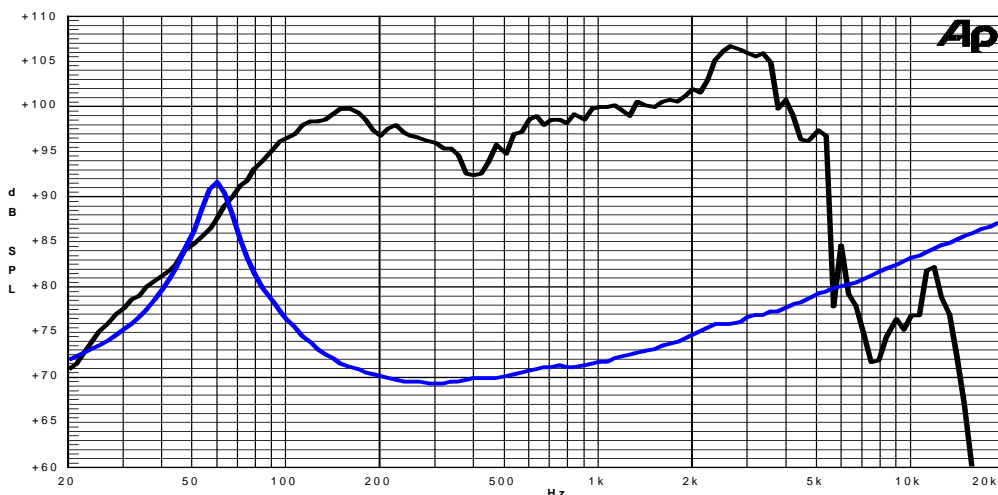
Specifications	
Nominal Diameter	321 mm (12")
Nominal Impedance	8Ω
Rated Power AES ⁽¹⁾	250W
Continuous Program Power ⁽²⁾	500W
Sensitivity @ 1W/1m ⁽³⁾	96.9dB
Voice Coil Diameter	65mm (2,5")
Voice Coil Winding Depth	12mm
Magnetic Gap Depth	8mm
Flux Density	1.19T
Magnet Weight	1430g
Net Weight	5.4kg

Thiele & Small Parameters ⁽⁴⁾			
Re	5.40Ω	Fs	51.0Hz
Qms	5.80	Qes	0.53
Qts	0.48	Mms	48.5g
Cms	174µm/N	Bxl	12.63Tm
Vas	80.6l	Sd	530.9cm ²
X max ⁽⁵⁾	+/-3.5mm	X var ⁽⁶⁾	+/-6.5mm
η ₀	1.95%	Le (1kHz)	0.50mH

Constructive Characteristics	
Magnet	: Ferrite
Basket Material	: Aluminium Die-Cast
Voice Coil Winding Material	: Aluminium
Voice Coil Former Material	: Fiberglass
Cone Material	: Paper
Cone Treatment	: Surface Waterproof Treatment
Surround Material	: Treated Cloth
Dust Dome Material	: Solid Paper



Frequency Response on IEC Baffle (DIN 45575) @ 1W,1m – Free Air Impedance



- Note:
- 1 : Rated Power measured with 2 hours test with pink noise signal, 6dB crest factor, loudspeaker mounted on enclosure
 - 2: Power on Continuous Program is defined as 3 dB greater than the Rated Power
 - 3: Calculated by Thiele & Small parameters
 - 4: Thiele & Small parameters measured with laser system without preconditioning test
 - 5: Measured with respect to a THD of 10% using a parameter-based method
 - 6: Value corresponding to a decay of the Force Factor, or Compliance, or both, equal to the 50% of the small signal value.
 - 7: Drawing dimensions: mm
 - 8: The notch around 400Hz on the frequency response is typical of the measurement on IEC baffle