

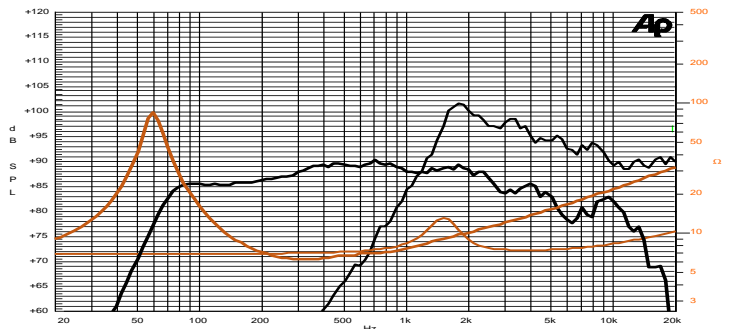
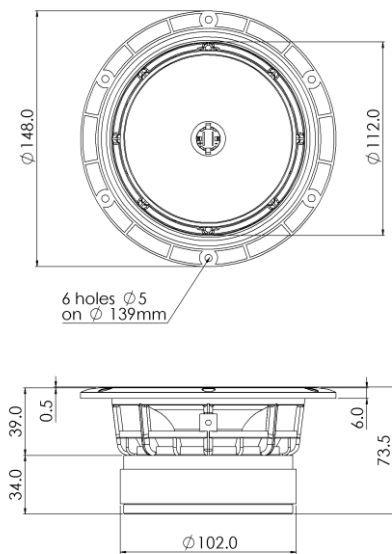
5,5 C 1,5 CP 8+8Ω

Coaxial

5,5" | 240 W

Code Z002810

- LF 1,5" voice coil Kapton former
- HF Treated Silk dome 1" voice coil
- DAR** Rubber surround with Double Asymmetric Rolls Technology (DAR)
- DT** Damping Cone Treatment
- LF Ferrite Magnet Circuit
- HF Neodymium Magnet Circuit
- 89.8 dB sensitivity
- Frequency Range 60-20000 Hz



Frequency Response on 8 Lt @ 68 Hz Vented Box @ 1W, 1m
Free Air Impedance

General Specifications	LF Unit	HF Unit
Nominal Diameter	140 mm (5,5")	
Nominal Impedance	8 Ω	8 Ω
Rated Power AES ⁽¹⁾	120 W	
Continuous Program Power ⁽²⁾	240 W	
Sensitivity @ 1W/1m ⁽³⁾	89.8 dB	93.5 dB
Voice Coil Diameter	38 mm (1,5 in)	25 mm (1 in)
Voice Coil Winding Depth	12 mm	1.7 mm
Magnetic Gap Depth	5 mm	2 mm
HF Recomm. Crossover Frequency ⁽⁴⁾	2.5 kHz	
Magnet Weight	515 g	14 g
Net Weight	1.7 kg	

Thiele & Small Parameters ⁽⁵⁾			
Re (LF)	5.1 Ω	Fs (LF)	62.0 Hz
Re (HF)	6.0 Ω	Fs (HF)	1500 Hz
Qms	4.67	Qes	0.34
Qts	0.31	Mms	10.6 g
Cms	621 μm/N	Bxl	7.89 Tm
Vas	5.4 l	Sd	78.5 cm ²
X max ⁽⁶⁾	+/-4.0 mm	X var ⁽⁷⁾	+/-6.0 mm
η _o	0.37 %	Le (1kHz)	0.50 mH

Constructive Characteristics

Magnet	Ferrite (LF) / Neodymium (HF)
Basket Material	Aluminium Die-Cast
LF Voice Coil Winding/Former Material	Copper / Kapton
HF Voice Coil Winding/Former Material	Copper / Aluminium
LF Cone Material	Paper
HF Dome Material	Treated Silk
Surround Material	Rubber
HF Spare Part Code	Z008955

Mounting Information

Overall Diameter	148 mm
Baffle Cutout Diameter	113 mm
Mounting Holes	6 holes ø5 on ø139 mm
Total Depth	71.5 mm

⁽¹⁾ Rated Power measured with 2-hour test with pink noise signal, 6dB crest factor, loudspeaker in free air, power calculated on rated Zmin. ⁽²⁾ Power on Continuous Program is defined as 3dB greater than the Rated Power. ⁽³⁾ Calculated by Thiele & Small parameters, for SPL average in box refer to frequency response. ⁽⁴⁾ Minimum crossover frequency, 12dB/oct or higher order high-pass filter. ⁽⁵⁾ Thiele & Small parameters measured with laser system after preconditioning test. ⁽⁶⁾ Measured with respect to a THD of 10%. ⁽⁷⁾ Value corresponding to a decay of the Force Factor, or Compliance, or both, equal to the 50% of the small signal value. ⁽⁸⁾ Drawing dimensions: mm.

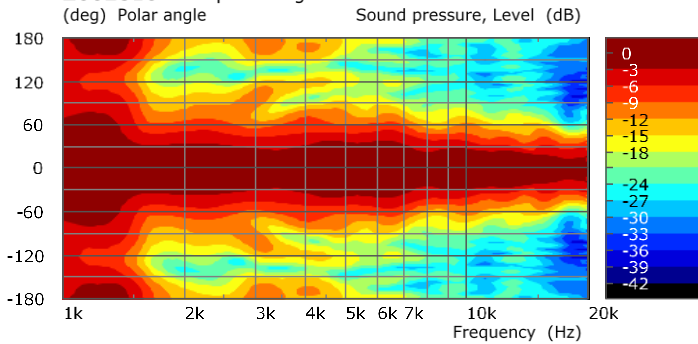
5,5 C 1,5 PL 8+8Ω

5,5" | 240 W

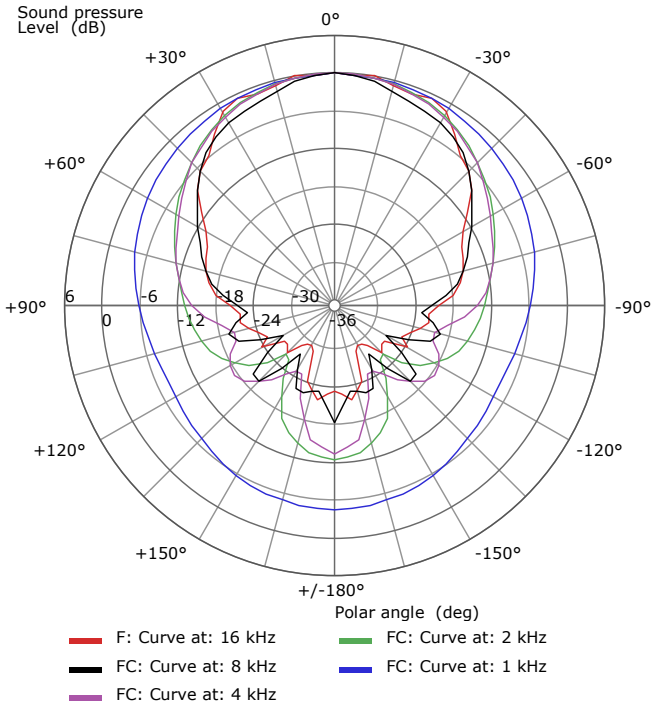
Code Z002810

Coaxial

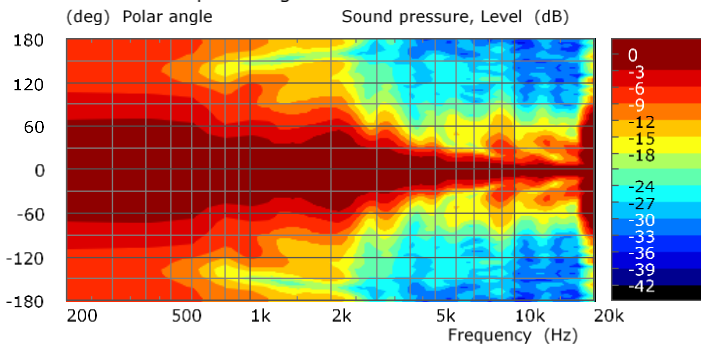
Z002810 - TW polar diagram
(deg) Polar angle



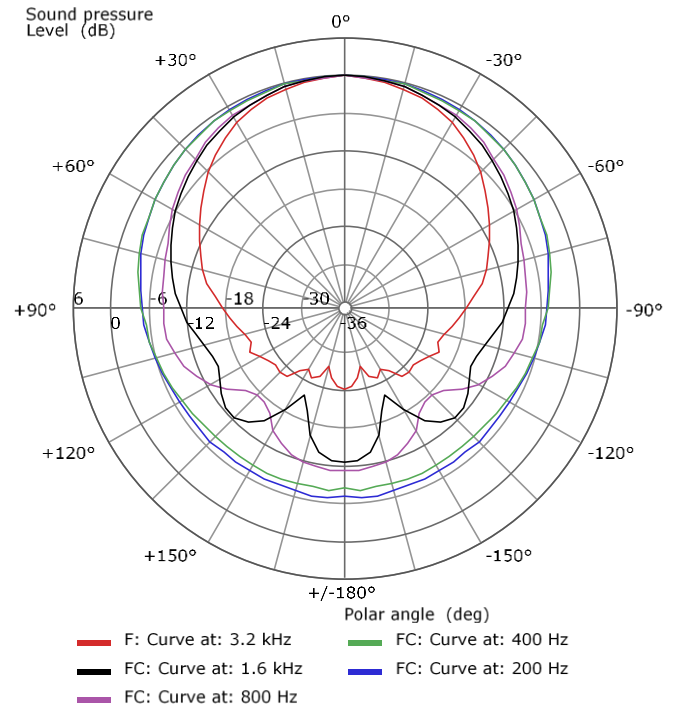
Z002810 -TW polar diagram



Z002810 W - polar diagram
(deg) Polar angle



Z002810 W - polar diagram



(1) Rated Power measured with 2-hour test with pink noise signal, 6dB crest factor, loudspeaker in free air, power calculated on rated Zmin. (2) Power on Continuous Program is defined as 3dB greater than the Rated Power. (3) Calculated by Thiele & Small parameters, for SPL average in box refer to frequency response. (4) Thiele & Small parameters measured with laser system after preconditioning test. (5) Measured with respect to a THD of 10%. (6) Value corresponding to a decay of the Force Factor, or Compliance, or both, equal to the 50% of the small signal value. (7) Drawing dimensions: mm.