

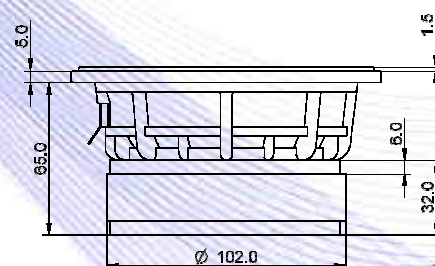
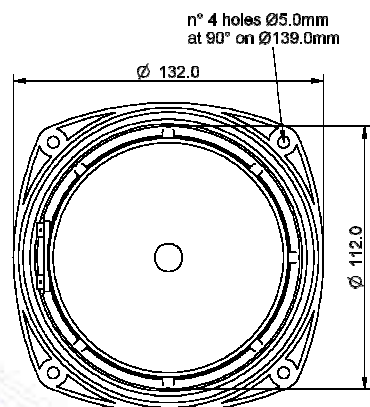
- 1.5" voice coil Kapton former
- Rubber surround with DAR technology
- Cone waterproof treatment
- Ventilated magnet to reduce power compression
- 87.8 dB sensitivity



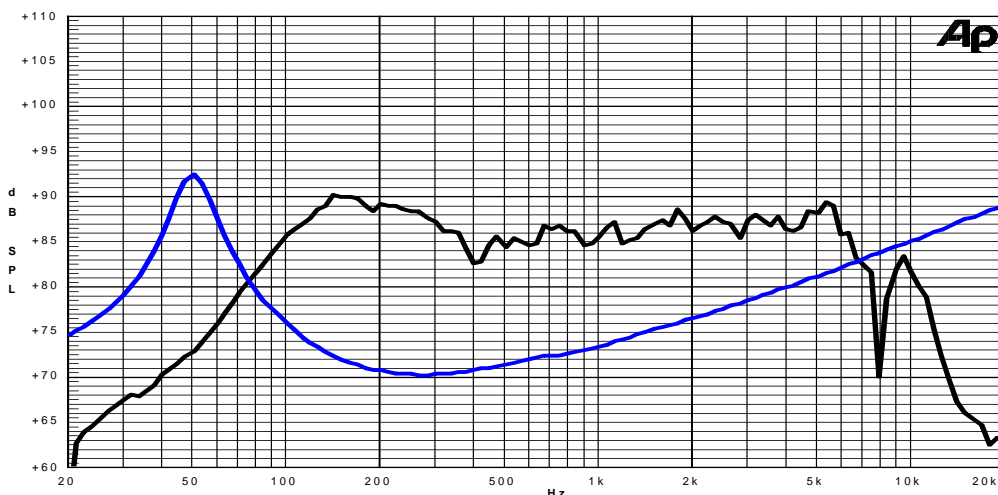
Specifications	
Nominal Diameter	132mm (5")
Nominal Impedance	8Ω
Rated Power AES ⁽¹⁾	100W
Continuous Program Power ⁽²⁾	200W
Sensitivity @ 1W/1m ⁽³⁾	87.8dB
Voice Coil Diameter	38mm (1,5")
Voice Coil Winding Depth	15mm
Magnetic Gap Depth	6mm
Flux Density	0.98T
Magnet Weight	515g
Net Weight	1.51kg

Thiele & Small Parameters ⁽⁴⁾			
Re	6.23Ω	Fs	51.8Hz
Qms	3.89	Qes	0.36
Qts	0.33	Mms	10.8g
Cms	872μm/N	Bxl	7.32Tm
Vas	7.6l	Sd	78.5cm ²
X max ⁽⁵⁾	+/-4.5mm	X var ⁽⁶⁾	+/-6.9mm
η ₀	0.28%	Le (1kHz)	0.82mH

Constructive Characteristics	
Magnet	: Ferrite
Basket Material	: Aluminium Die-Cast
Voice Coil Winding Material	: Copper
Voice Coil Former Material	: Kapton
Cone Material	: Paper
Cone Treatment	: Surface Waterproof Treatment
Surround Material	: Rubber
Dust Dome Material	: Solid Paper



Frequency Response on IEC Baffle (DIN 45575) @ 1W,1m – Free Air Impedance



- Note:
- 1 : Rated Power measured with 2 hours test with pink noise signal, 6dB crest factor, loudspeaker mounted on enclosure
 - 2: Power on Continuous Program is defined as 3 dB greater than the Rated Power
 - 3: Calculated by Thiele & Small parameters
 - 4: Thiele & Small parameters measured with laser system without preconditioning test
 - 5: Measured with respect to a THD of 10% using a parameter-based method
 - 6: Value corresponding to a decay of the Force Factor, or Compliance, or both, equal to the 50% of the small signal value.
 - 7: Drawing dimensions: mm
 - 8: The notch around 400Hz on the frequency response is typical of the measurement on IEC baffle