

GENERAL CHARACTERISTICS

Nominal Overall Diameter	101	mm
Nominal Voice Coil Diameter	25	mm
Magnet Weight	15	g
Flux Density.....	0.99	T
Weight.....	0.20	Kg

THIELE-SMALL PARAMETERS

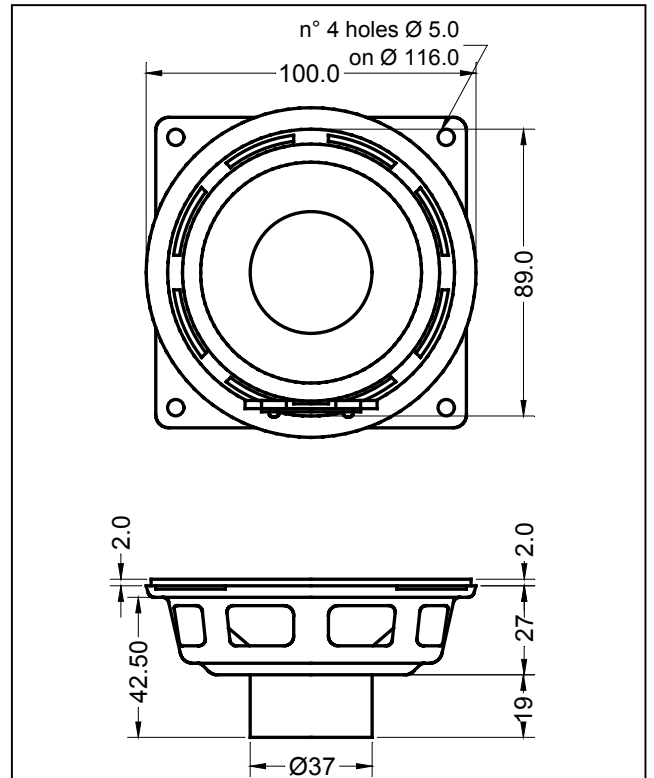
Voice Coil DC Resistance	R_E	3.00	Ω
Resonance Frequency	f_s	105.0	Hz
Mechanical Q Factor.....	Q_{MS}	3.41	
Electrical Q Factor.....	Q_{ES}	0.54	
Total Q Factor	Q_{TS}	0.47	
Mechanical Moving Mass	M_{MS}	4.3	g
Mechanical Compliance	C_{MS}	531	μm/N
Force Factor	$B \times l$	4.01	Wb/m
Equivalent Acoustic Volume.....	V_{AS}	1.5	lt.
Maximum Linear Displacement	X_{MAX}	+/-2.0	mm
Reference Efficiency	η_0	0.30	%
Diaphragm Area	S_D	44.2	cm ²
Losses Electrical Resistance.....	R_{ES}	19.3	Ω
Voice Coil Inductance @ 1kHz	L_E	0.26	mH

CONSTRUCTIVE CHARACTERISTICS

Magnet.....	Neodymium
Voice Coil Winding.....	Copper
Voice Coil Former.....	Epotex
Cone	Paper
Surround.....	Rubber
Dust Dome	Polypropylene Ogive
Basket	Pressed Sheet Steel

ELECTRICAL CHARACTERISTICS

Nominal Impedance.....	4	Ω
Musical Power	100	W
Rated Power*	50	W
Sensitivity @ 1 W, 1 m	88.0	dB



*rated power measured with 2 hours test with pink noise signal, 6 dB crest factor, loudspeaker mounted on enclosure

Frequency Response on IEC Baffle (DIN 45575) @ 1 W, 1 m - Impedance

