

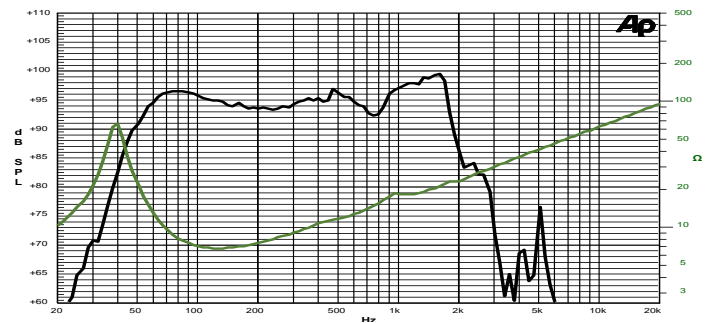
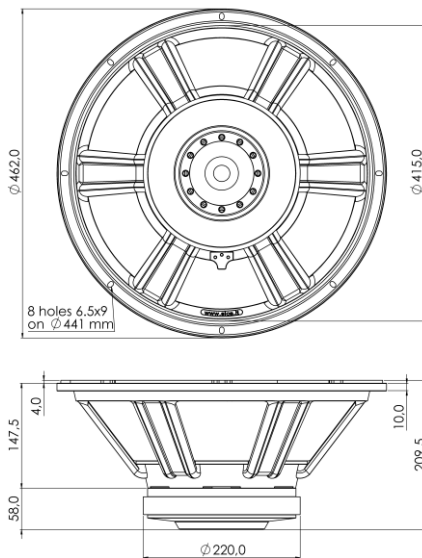
18 PF 4 8Ω

18" | 2400 W

Code Z008394

Subwoofer

- SNDW** 4" Sandwich voice coil Fiberglass former
- DCSP** Double Cross Konex Spider (DCS) with Progressive Waves
- TR** Triple Roll Cloth surround
- TWPt** Total Waterproof Cone Treatment
- HeF** High Excursion Ferrite Magnet Circuit
- VMVc** Ventilated Magnet and Voice Coil to reduce Power Compression
- 96.3 dB sensitivity
- Frequency Range 35-700 Hz



Frequency Response on 150 Lt @ 45 Hz Vented Box @ 1W, 1m
Free Air Impedance

General Specifications

Nominal Diameter	463 mm (18")
Nominal Impedance	8 Ω
Rated Power AES ⁽¹⁾	1200 W
Continuous Program Power ⁽²⁾	2400 W
Sensitivity @ 1W/1m ⁽³⁾	96.3 dB
Voice Coil Diameter	100 mm (4")
Voice Coil Winding Depth	27 mm
Magnetic Gap Depth	12 mm
Flux Density	1.05 T
Magnet Weight	3300 g
Net Weight	13.0 kg

Thiele & Small Parameters⁽⁴⁾

Re	5.2 Ω	Fs	38.0 Hz
Qms	6.46	Qes	0.47
Qts	0.43	Mms	229.2 g
Cms	76 μm/N	Bxl	24.6 Tm
Vas	147.3 l	Sd	1164.2 cm ²
X max ⁽⁵⁾	+/-8.0 mm	X var ⁽⁶⁾	+/-10.0 mm
ηo	1.67 %	Le (1kHz)	1.85 mH

Constructive Characteristics

Magnet	Ferrite
Basket Material	Aluminium Die-Cast
Voice Coil Winding Material	Copper
Voice Coil Former Material	Fiberglass
Cone Material	Paper
Cone Treatment	Total Waterproof Treatment
Surround Material	Treated Cloth
Dust Dome Material	Solid Paper

Mounting Information

Overall Diameter	462 mm
Baffle Cutout Diameter	417 mm
Mounting Holes	8 holes 6,5x9 on ø441 mm
Total Depth	209.5 mm

(1) Rated Power measured with 2-hour test with pink noise signal, 6dB crest factor, loudspeaker in free air, power calculated on rated Zmin. (2) Power on Continuous Program is defined as 3dB greater than the Rated Power. (3) Calculated by Thiele & Small parameters, for SPL average in box refer to frequency response. (4) Thiele & Small parameters measured with laser system after preconditioning test. (5) Measured with respect to a THD of 10%. (6) Value corresponding to a decay of the Force Factor, or Compliance, or both, equal to the 50% of the small signal value. (7) Drawing dimensions: mm.