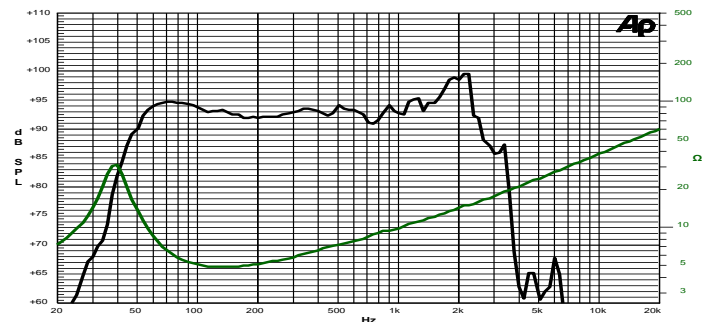
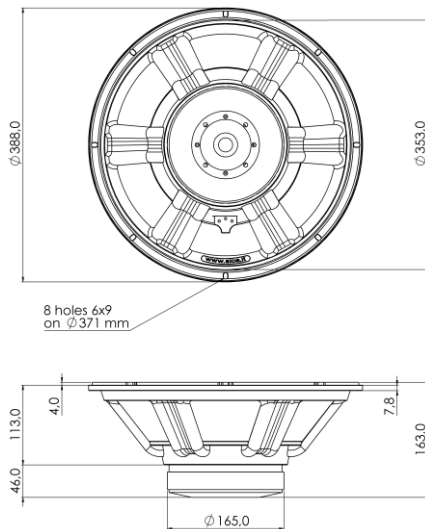


## 15 PFS 3 4Ω

15" | 1000 W

Code Z008315

- SNDW** 3" Sandwich voice coil Fiberglass former
- PS** Konex Spider with Progressive Waves
- TR** Triple Roll Cloth surround
- TWPt** Total Waterproof Cone Treatment
- BMF** Balanced Ferrite Magnet Circuit
- VMVc** Ventilated Magnet and Voice Coil to reduce Power Compression
- 94.8 dB sensitivity
- Frequency Range 35-2000 Hz



Frequency Response on 150 Lt @ 45 Hz Vented Box @ 1W, 1m  
Free Air Impedance

### General Specifications

Nominal Diameter	389 mm (15")
Nominal Impedance	4 Ω
Rated Power AES <sup>(1)</sup>	500 W
Continuous Program Power <sup>(2)</sup>	1000 W
Sensitivity @ 1W/1m <sup>(3)</sup>	94.8 dB
Voice Coil Diameter	75 mm (3")
Voice Coil Winding Depth	24 mm
Magnetic Gap Depth	10 mm
Flux Density	1.08 T
Magnet Weight	1790 g
Net Weight	7.7 kg

### Thiele & Small Parameters<sup>(4)</sup>

Re	3.2 Ω	Fs	38.2 Hz
Qms	4.23	Qes	0.49
Qts	0.44	Mms	134.9 g
Cms	128 μm/N	Bxl	14.49 Tm
Vas	133.0 l	Sd	855.3 cm <sup>2</sup>
X max <sup>(5)</sup>	+/-7.0 mm	X var <sup>(6)</sup>	+/-9.0 mm
η <sub>o</sub>	1.44 %	Le (1kHz)	0.96 mH

### Constructive Characteristics

Magnet	Ferrite
Basket Material	Aluminium Die-Cast
Voice Coil Winding Material	Copper
Voice Coil Former Material	Fiberglass
Cone Material	Paper
Cone Treatment	Total Waterproof Treatment
Surround Material	Treated Cloth
Dust Dome Material	Solid Paper

### Mounting Information

Overall Diameter	388 mm
Baffle Cutout Diameter	355 mm
Mounting Holes	8 holes 6x9 on 371 mm
Total Depth	163 mm

(1) Rated Power measured with 2-hour test with pink noise signal, 6dB crest factor, loudspeaker in free air, power calculated on rated Zmin. (2) Power on Continuous Program is defined as 3dB greater than the Rated Power. (3) Calculated by Thiele & Small parameters, for SPL average in box refer to frequency response. (4) Thiele & Small parameters measured with laser system after preconditioning test. (5) Measured with respect to a THD of 10%. (6) Value corresponding to a decay of the Force Factor, or Compliance, or both, equal to the 50% of the small signal value. (7) Drawing dimensions: mm.