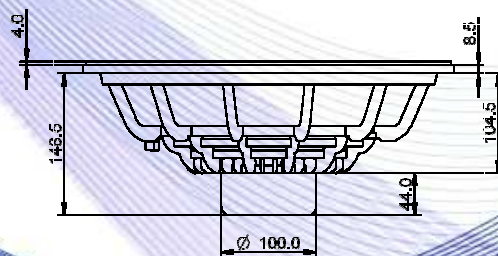
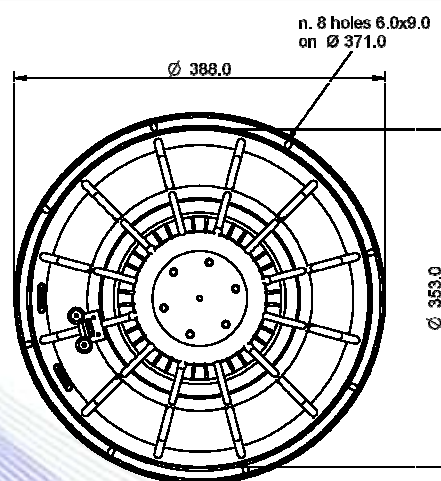


- 3" sandwich voice coil Kapton former and aluminium wire
- Smooth sound
- Neodymium magnet
- Progressive wave Konex spider
- Cloth surround with DAR technology
- Cone waterproof treatment
- Ventilated voice coil to reduce power compression
- 98.7 dB sensitivity

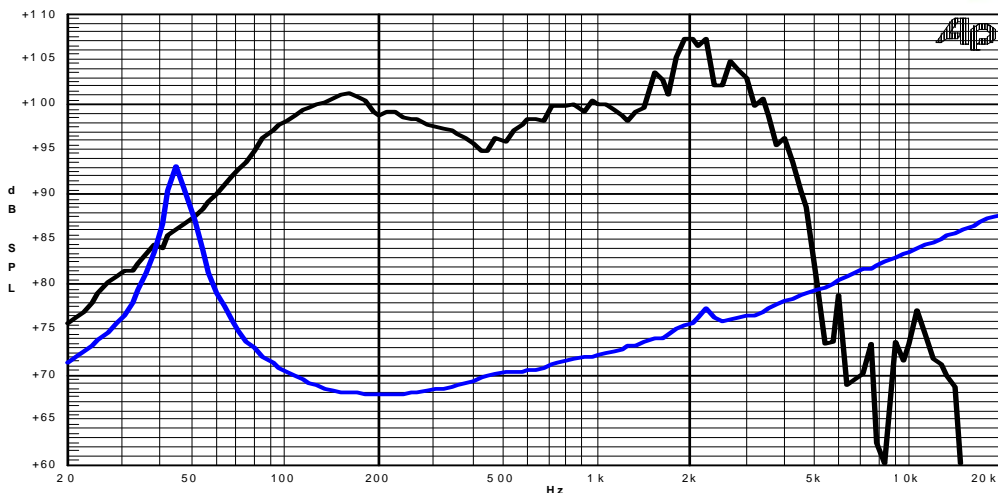
Specifications	
Nominal Diameter	388mm (15")
Nominal Impedance	8Ω
Rated Power AES ⁽¹⁾	350W
Continuous Program Power ⁽²⁾	700W
Sensitivity @ 1W/1m ⁽³⁾	98.7dB
Voice Coil Diameter	75mm (3")
Voice Coil Winding Depth	21mm
Magnetic Gap Depth	10mm
Flux Density	1.17T
Magnet Weight	360g
Net Weight	4.0kg

Thiele & Small Parameters ⁽⁴⁾			
Re	5.10Ω	Fs	45.0Hz
Qms	7.64	Qes	0.49
Qts	0.46	Mms	80.9g
Cms	158μm/N	Bxl	15.23Tm
Vas	163.1l	Sd	855.3cm ²
X max ⁽⁵⁾	+/-5.5mm	X var ⁽⁶⁾	+/-11.5mm
η ₀	2.81%	Le (1kHz)	0.78mH

Costructive Characteristics	
Magnet	: Neodymium
Basket Material	: Aluminium Die-Cast
Voice Coil Winding Material	: Aluminium
Voice Coil Former Material	: Kapton
Cone Material	: Paper
Cone Treatment	: Surface Waterproof Treatment
Surround Material	: Treated Cloth
Dust Dome Material	: Solid Paper



Frequency Response on IEC Baffle (DIN 45575) @ 1W,1m – Free Air Impedance



- Note:
- 1 : Rated Power measured with 2 hours test with pink noise signal, 6dB crest factor, loudspeaker mounted on enclosure
 - 2 : Power on Continuous Program is defined as 3 dB greater than the Rated Power
 - 3 : Calculated by Thiele & Small parameters
 - 4 : Thiele & Small parameters measured with laser system without preconditioning test
 - 5 : Measured with respect to a THD of 10% using a parameter-based method
 - 6 : Value corresponding to a decay of the Force Factor, or Compliance, or both, equal to the 50% of the small signal value.
 - 7 : Drawing dimensions: mm
 - 8 : The notch around 400Hz on the frequency response is typical of the measurement on IEC baffle