

#### GENERAL CHARACTERISTICS

Nominal Overall Diameter .....	266	mm
Nominal Voice Coil Diameter .....	65	mm
Magnet Weight .....	220	g
Flux Density.....	1.11	T
Weight.....	2.00	Kg

#### THIELE-SMALL PARAMETERS

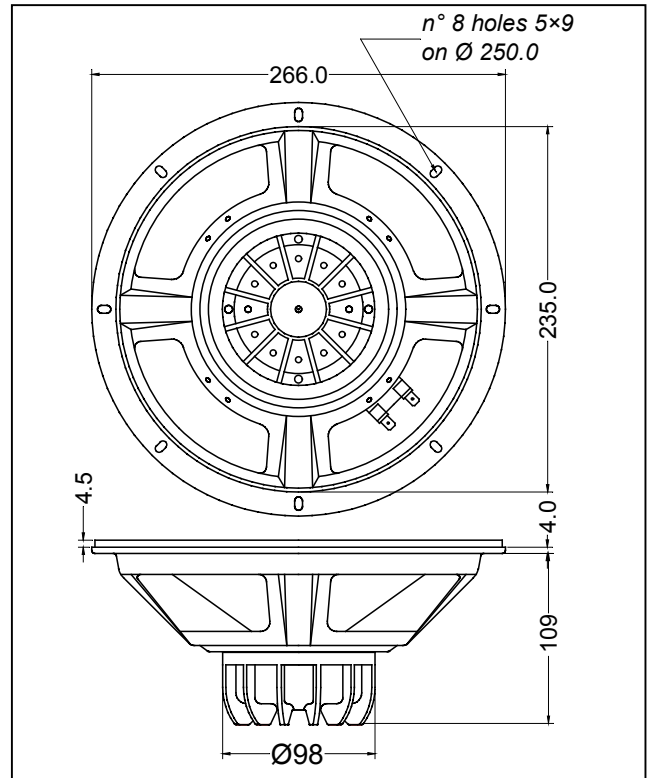
Voice Coil DC Resistance .....	$R_E$	3.62	Ω
Resonance Frequency .....	$f_s$	56.5	Hz
Mechanical Q Factor.....	$Q_{MS}$	6.11	
Electrical Q Factor.....	$Q_{ES}$	0.31	
Total Q Factor .....	$Q_{TS}$	0.30	
Mechanical Moving Mass .....	$M_{MS}$	25.8	g
Mechanical Compliance .....	$C_{MS}$	307	μm/N
Force Factor .....	$B \times l$	10.40	Wb/m
Equivalent Acoustic Volume.....	$V_{AS}$	46.9	lt.
Maximum Linear Displacement ....	$X_{MAX}$	+/-3.0	mm
Reference Efficiency .....	$\eta_0$	2.66	%
Diaphragm Area .....	$S_D$	330.0	cm <sup>2</sup>
Losses Electrical Resistance.....	$R_{ES}$	72.0	Ω
Voice Coil Inductance @ 1kHz .....	$L_E$	0.56	mH

#### CONSTRUCTIVE CHARACTERISTICS

Magnet.....	Neodymium
Voice Coil Winding.....	Aluminium
Voice Coil Former.....	Fiberglass
Cone .....	Paper
Surround.....	Treated Cloth
Dust Dome .....	Solid Paper
Basket .....	Pressed Sheet Steel

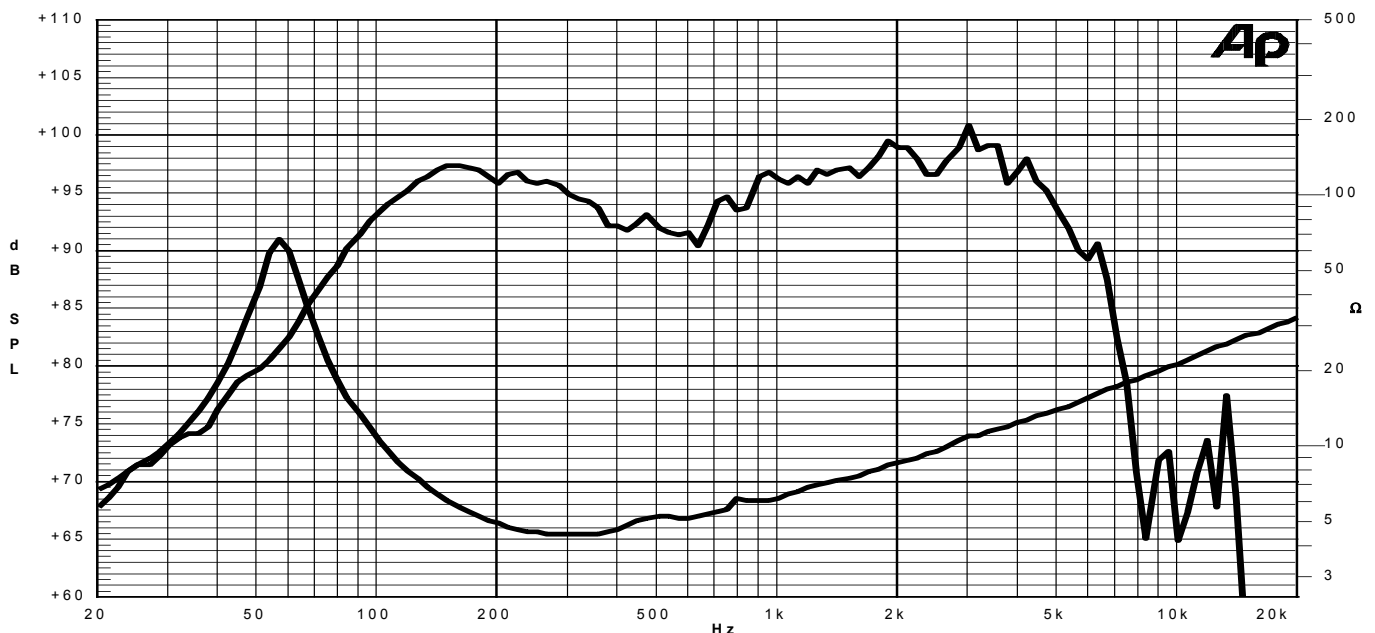
#### ELECTRICAL CHARACTERISTICS

Nominal Impedance.....	4	Ω
Musical Power .....	500	W
Rated Power* .....	250	W
Sensitivity @ 1 W, 1 m .....	96.7	dB



\*rated power measured with 2 hours test with pink noise signal, 6 dB crest factor, loudspeaker mounted on enclosure

Frequency Response on IEC Baffle (DIN 45575) @ 1 W, 1 m - Impedance



Due to continuing product improvement, the features and the design are subject to change without notice.

11/03/05