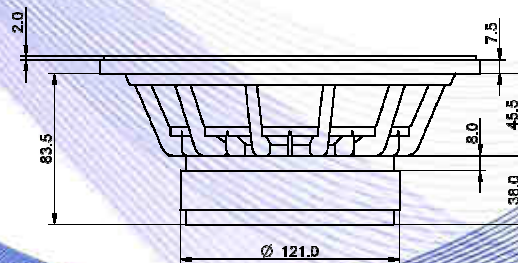
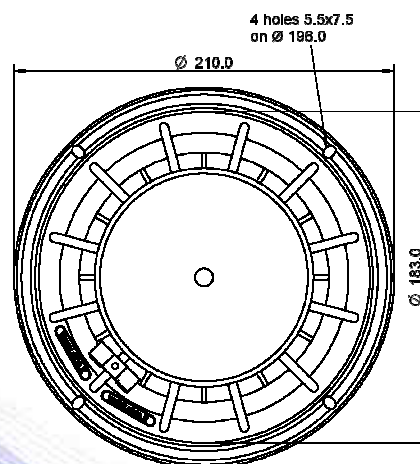


- 2" voice coil Kapton former.
- Cloth surround with DAR technology.
- Cone waterproof treatment.
- BMF ferrite magnet.
- 94.2 dB sensitivity.

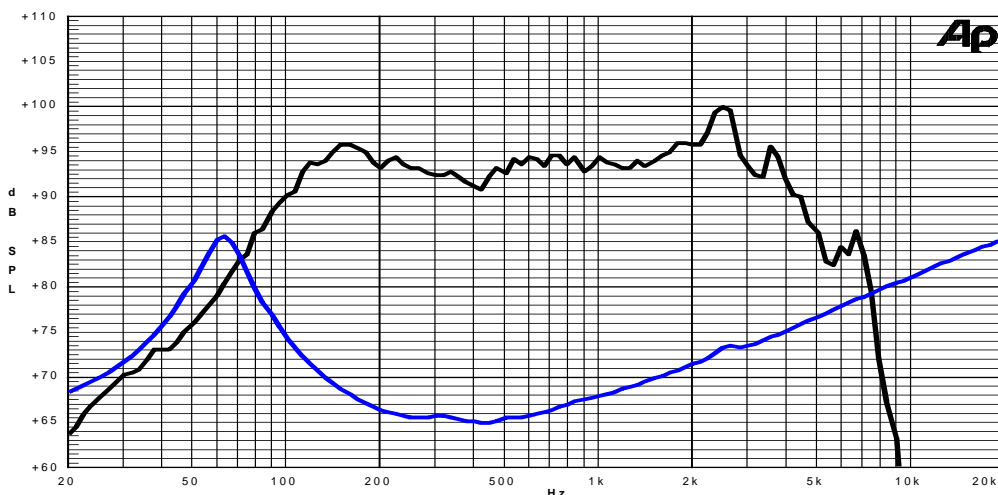
Specifications	
Nominal Diameter	210mm (8")
Nominal Impedance	4Ω
Rated Power AES ⁽¹⁾	150W
Continuous Program Power ⁽²⁾	300W
Sensitivity @ 1W/1m ⁽³⁾	94.2dB
Voice Coil Diameter	50mm (2")
Voice Coil Winding Depth	13mm
Magnetic Gap Depth	8mm
Flux Density	1.07 T
Magnet Weight	930g
Net Weight	2.8kg

Thiele & Small Parameters ⁽⁴⁾			
Re	3.10Ω	Fs	64.6Hz
Qms	3.21	Qes	0.32
Qts	0.29	Mms	25.6g
Cms	238μm/N	Bxl	9.96Tm
Vas	15.4l	Sd	213.8cm ²
X max ⁽⁵⁾	+/-3.2mm	X var ⁽⁶⁾	+/-6.5mm
η ₀	1.23%	Le (1kHz)	0.52mH

Constructive Characteristics	
Magnet	: Ferrite
Basket Material	: Aluminium Die-Cast
Voice Coil Winding Material	: Copper
Voice Coil Former Material	: Kapton
Cone Material	: Paper
Cone Treatment	: Surface Waterproof Treatment
Surround Material	: Treated Cloth
Dust Dome Material	: Solid Paper



Frequency Response on IEC Baffle (DIN 45575) @ 1W,1m – Free Air Impedance



- Note:
- 1 : Rated Power measured with 2 hours test with pink noise signal, 6dB crest factor, loudspeaker mounted on enclosure
 - 2: Power on Continuous Program is defined as 3 dB greater than the Rated Power
 - 3: Calculated by Thiele & Small parameters
 - 4: Thiele & Small parameters measured with laser system without preconditioning test
 - 5: Measured with respect to a THD of 10% using a parameter-based method
 - 6: Value corresponding to a decay of the Force Factor, or Compliance, or both, equal to the 50% of the small signal value.
 - 7: Drawing dimensions: mm
 - 8: The notch around 400Hz on the frequency response is typical of the measurement on IEC baffle

Due to continuing product improvement, the features and the design are subject to change without notice.

07/02/13