

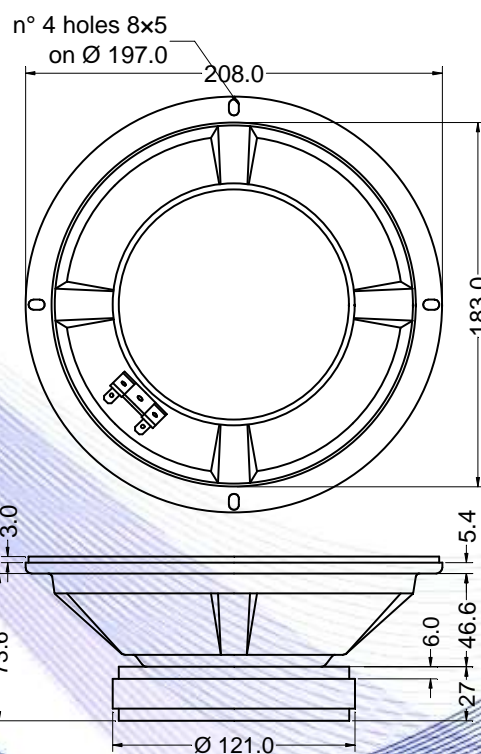
- 1,5" voice coil Epotex former.
- Close steel basket
- 97,1 dB sensitivity.



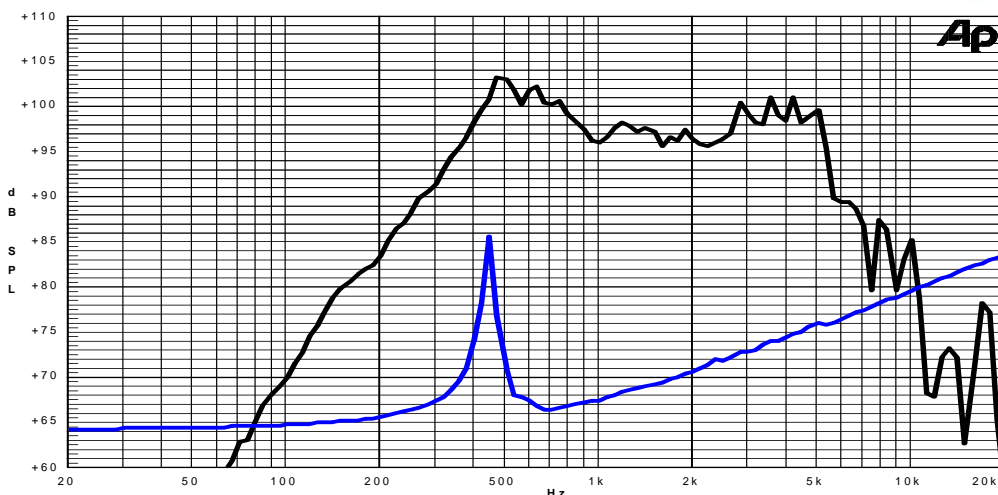
Specifications	
Nominal Diameter	208mm (8")
Nominal Impedance	4Ω
Rated Power AES ⁽¹⁾	100W
Continuous Program Power ⁽²⁾	200W
Sensitivity @ 1W/1m ⁽³⁾	97.1dB
Voice Coil Diameter	38mm (1,5")
Voice Coil Winding Depth	9mm
Magnetic Gap Depth	6mm
Flux Density	1.15T
Magnet Weight	640g
Net Weight	2.7kg

Thiele & Small Parameters ⁽⁴⁾			
Re	3.59Ω	Fs	447.5Hz
Qms	18.67	Qes	2.23
Qts	1.99	Mms	11.5g
Cms	11μm/N	Bxl	7.21Tm
Vas	0.7l	Sd	213.8cm ²
X max ⁽⁵⁾	+/-1.5mm	X var ⁽⁶⁾	+/-1.5mm
η ₀	2.75%	Le (1kHz)	0.34mH

Costructive Characteristics	
Magnet	: Ferrite
Basket Material	: Pressed Sheet Steel
Voice Coil Winding Material	: Copper
Voice Coil Former Material	: Epotex
Cone Material	: Paper
Cone Treatment	: No
Surround Material	: Paper - Integrated
Dust Dome Material	: Paper Ogive



Frequency Response on IEC Baffle (DIN 45575) @ 1W,1m – Free Air Impedance



- Note:
- 1 : Rated Power measured with 2 hours test with pink noise signal, 6dB crest factor, loudspeaker mounted on enclosure
 - 2: Power on Continuous Program is defined as 3 dB greater than the Rated Power
 - 3: Calculated by Thiele & Small parameters
 - 4: Thiele & Small parameters measured with laser system without preconditioning test
 - 5: Measured with respect to a THD of 10% using a parameter-based method
 - 6: Value corresponding to a decay of the Force Factor, or Compliance, or both, equal to the 50% of the small signal value.
 - 7: Drawing dimensions: mm
 - 8: The notch around 400Hz on the frequency response is typical of the measurement on IEC baffle