

## 8" - 160W Dual Cone

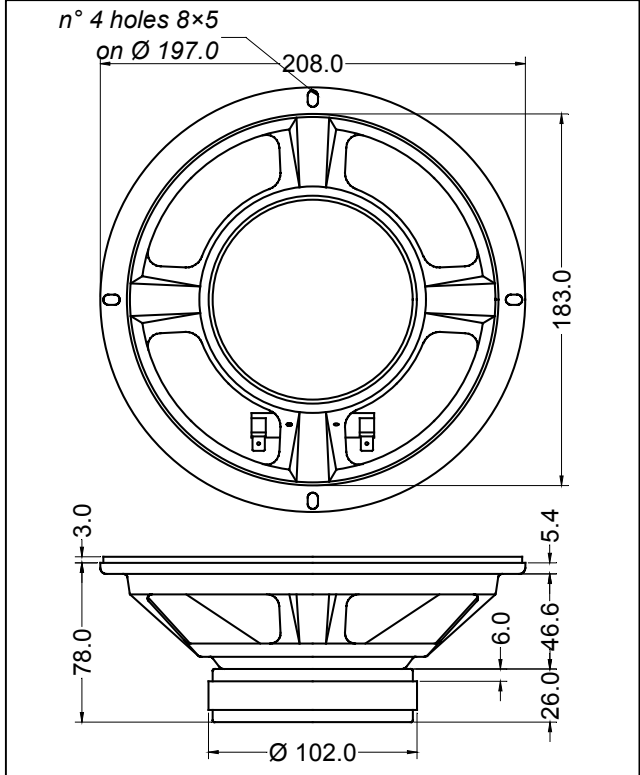
### LP 208.38/ 426 T ER 4 Ω

Code Z004670

GENERAL CHARACTERISTICS		
Nominal Overall Diameter .....	208	mm
Nominal Voice Coil Diameter .....	38	mm
Magnet Weight .....	426	g
Flux Density.....	0.95	T
Weight.....	1.45	Kg

ELECTRICAL CHARACTERISTICS		
Nominal Impedance.....	4	Ω
Musical Power .....	160	W
Rated Power* .....	80	W
Sensitivity @ 1 W, 1 m .....	93.9	dB

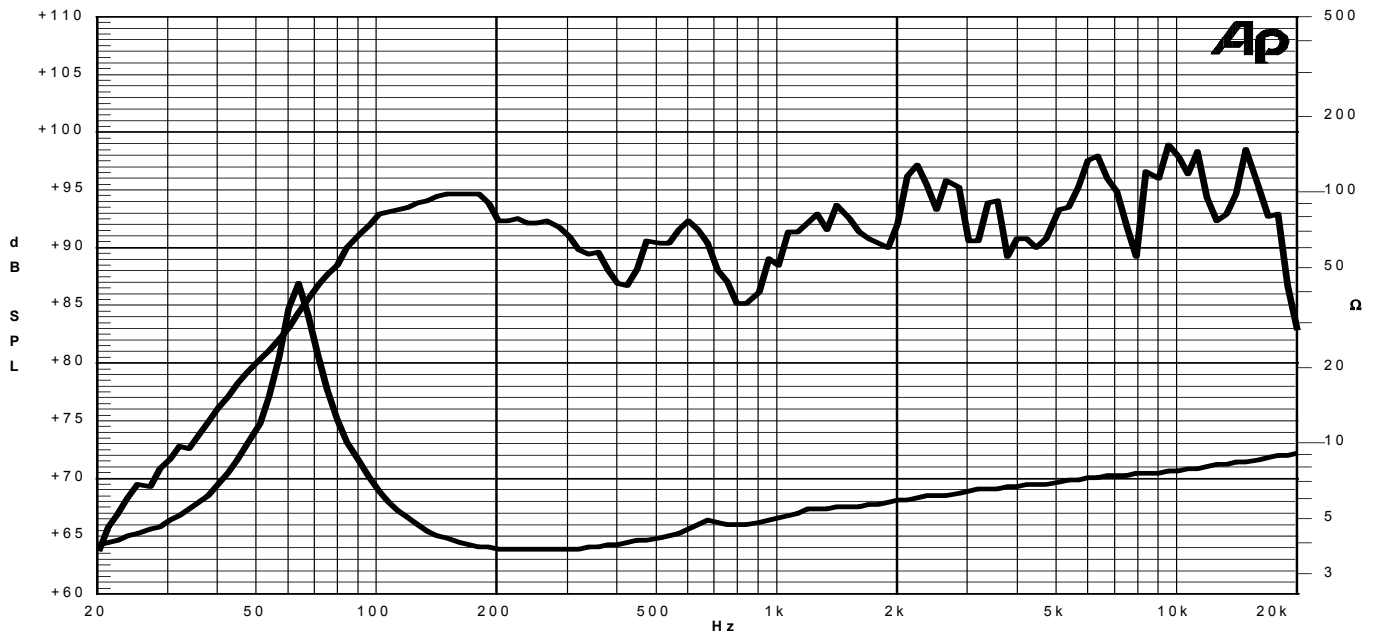
THIELE-SMALL PARAMETERS		
Voice Coil DC Resistance .....	$R_E$	3.00 Ω
Resonance Frequency .....	$f_s$	64.0 Hz
Mechanical Q Factor.....	$Q_{MS}$	8.84
Electrical Q Factor.....	$Q_{ES}$	0.59
Total Q Factor .....	$Q_{TS}$	0.55
Mechanical Moving Mass .....	$M_{MS}$	14.4 g
Mechanical Compliance .....	$C_{MS}$	432 μm/N
Force Factor .....	$B \times l$	5.47 Wb/m
Equivalent Acoustic Volume.....	$V_{AS}$	27.7 lt.
Maximum Linear Displacement ....	$X_{MAX}$	+/-2.5 mm
Reference Efficiency .....	$\eta_0$	1.17 %
Diaphragm Area .....	$S_D$	213.8 cm <sup>2</sup>
Losses Electrical Resistance.....	$R_{ES}$	45.6 Ω
Voice Coil Inductance @ 1kHz .....	$L_E$	0.24 mH



CONSTRUCTIVE CHARACTERISTICS	
Magnet.....	Ferrite
Voice Coil Winding.....	Copper
Voice Coil Former.....	Kapton
Cone .....	Paper
Surround.....	Treated Cloth
Dust Dome .....	Dual-Cone
Basket .....	Pressed Sheet Steel

\*rated power measured with 2 hours test with pink noise signal, 6 dB crest factor, loudspeaker mounted on enclosure

Frequency Response on IEC Baffle (DIN 45575) @ 1 W, 1 m - Impedance



Due to continuing product improvement, the features and the design are subject to change without notice.

15/03/05