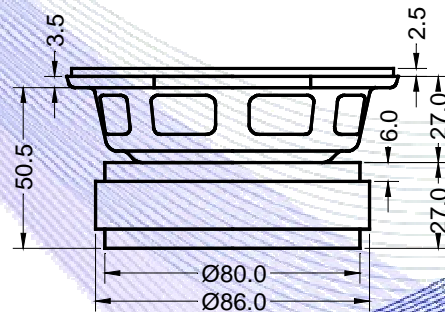
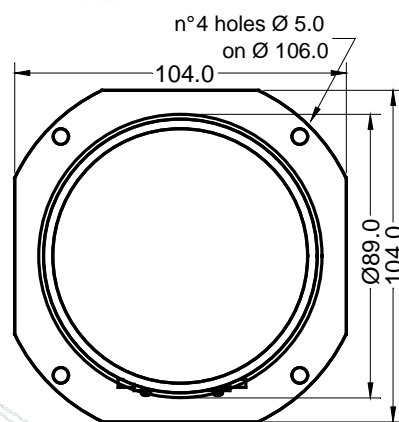


- 1" voice coil aluminium former
- Ferrite magnet
- Cone waterproof treatment
- 88.1 dB sensitivity

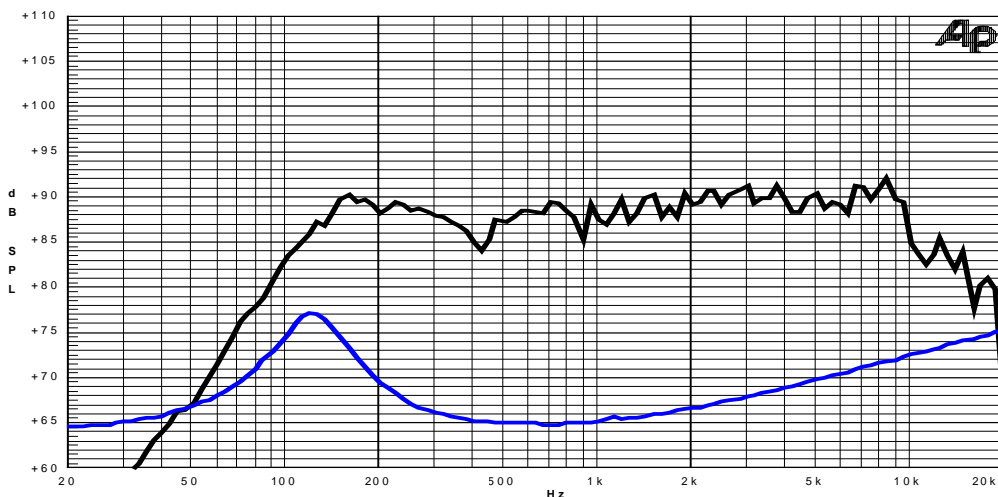


Specifications	
Nominal Diameter	104mm (4")
Nominal Impedance	4Ω
Rated Power AES <sup>(1)</sup>	60W
Continuous Program Power <sup>(2)</sup>	120W
Sensitivity @ 1W/1m <sup>(3)</sup>	88.1dB
Voice Coil Diameter	25mm (1")
Voice Coil Winding Depth	8mm
Magnetic Gap Depth	6mm
Flux Density	1.10T
Magnet Weight	380g
Net Weight	1.0kg

Thiele & Small Parameters <sup>(4)</sup>			
Re	3.32Ω	Fs	126.6Hz
Qms	2.21	Qes	0.64
Qts	0.50	Mms	4.0g
Cms	390µm/N	Bxl	4.08Tm
Vas	1.1l	Sd	44.2cm <sup>2</sup>
X max <sup>(5)</sup>	+/-2.2mm	X var <sup>(6)</sup>	+/-3.7mm
η <sub>0</sub>	0.33%	Le (1kHz)	0.08mH

Constructive Characteristics	
Magnet	: Ferrite
Basket Material	: Pressed Sheet Steel
Voice Coil Winding Material	: Copper
Voice Coil Former Material	: Aluminium
Cone Material	: Paper
Cone Treatment	: Surface Waterproof Treatment
Surround Material	: Treated Cloth
Dust Dome Material	: Polypropylene Ogive

Frequency Response on IEC Baffle (DIN 45575) @ 1W,1m – Free Air Impedance



- Note:
- 1 : Rated Power measured with 2 hours test with pink noise signal, 6dB crest factor, loudspeaker mounted on enclosure
  - 2: Power on Continuous Program is defined as 3 dB greater than the Rated Power
  - 3: Calculated by Thiele & Small parameters
  - 4: Thiele & Small parameters measured with laser system without preconditioning test
  - 5: Measured with respect to a THD of 10% using a parameter-based method
  - 6: Value corresponding to a decay of the Force Factor, or Compliance, or both, equal to the 50% of the small signal value.
  - 7: Drawing dimensions: mm
  - 8: The notch around 400Hz on the frequency response is typical of the measurement on IEC baffle