

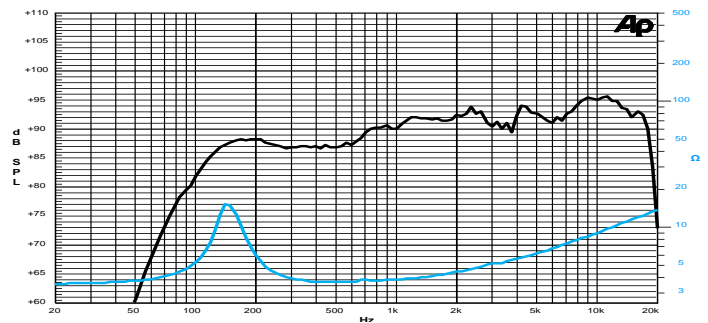
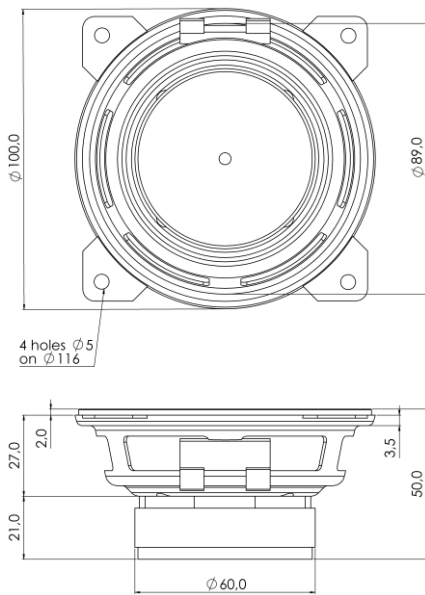
**4 D 0,8 CS 4Ω**

Dual Cone

**4" | 70 W**

**Code Z001300**

- 0,8" voice coil Epotex former
- Dual Cone
- Ferrite Magnet Circuit
- 87.5 dB sensitivity
- Frequency Range 140-20000 Hz



Frequency Response on 5.5 Lt @ 110 Hz Vented Box @ 1W, 1m  
Free Air Impedance

### General Specifications

Nominal Diameter	102 mm (4")
Nominal Impedance	4 Ω
Rated Power AES <sup>(1)</sup>	35 W
Continuous Program Power <sup>(2)</sup>	70 W
Sensitivity @ 1W/1m <sup>(3)</sup>	87.5 dB
Voice Coil Diameter	20 mm (0,8")
Voice Coil Winding Depth	5 mm
Magnetic Gap Depth	4 mm
Flux Density	1.10 T
Magnet Weight	154 g
Net Weight	0.4 kg

### Thiele & Small Parameters <sup>(4)</sup>

Re	3.0 Ω	Fs	140 Hz
Qms	4.20	Qes	1.18
Qts	0.92	Mms	3.1 g
Cms	416 μm/N	Bxl	2.65 Tm
Vas	1.2 l	Sd	44.2 cm <sup>2</sup>
X max <sup>(5)</sup>	+/-1.3 mm	X var <sup>(6)</sup>	+/-3.0 mm
ηo	0.26 %	Le (1kHz)	0.14 mH

### Constructive Characteristics

Magnet	Ferrite
Basket Material	Pressed Sheet Steel
Voice Coil Winding Material	Copper
Voice Coil Former Material	Epotex
Cone Material	Paper
Cone Treatment	No
Surround Material	Treated Cloth
Dust Dome Material	Solid Paper

### Mounting Information

Overall Diameter	100 mm
Baffle Cutout Diameter	90 mm
Mounting Holes	4 holes ø5 on ø116 mm
Total Depth	50 mm

(1) Rated Power measured with 2-hour test with pink noise signal, 6dB crest factor, loudspeaker in free air, power calculated on rated Zmin. (2) Power on Continuous Program is defined as 3dB greater than the Rated Power. (3) Calculated by Thiele & Small parameters, for SPL average in box refer to frequency response. (4) Thiele & Small parameters measured with laser system after preconditioning test. (5) Measured with respect to a THD of 10%. (6) Value corresponding to a decay of the Force Factor, or Compliance, or both, equal to the 50% of the small signal value. (7) Drawing dimensions: mm.